



# Model F6661X0

## 1" Aluminum AODD Pump

- \* **Compatible with ARO® Pro Series model**
- \* **Dimensionally interchangeable**
- \* **Complete parts interchangeability**
- \* **CE Certified**
- \* **ATEX Certified**



### Compatible with the Following ARO® Models

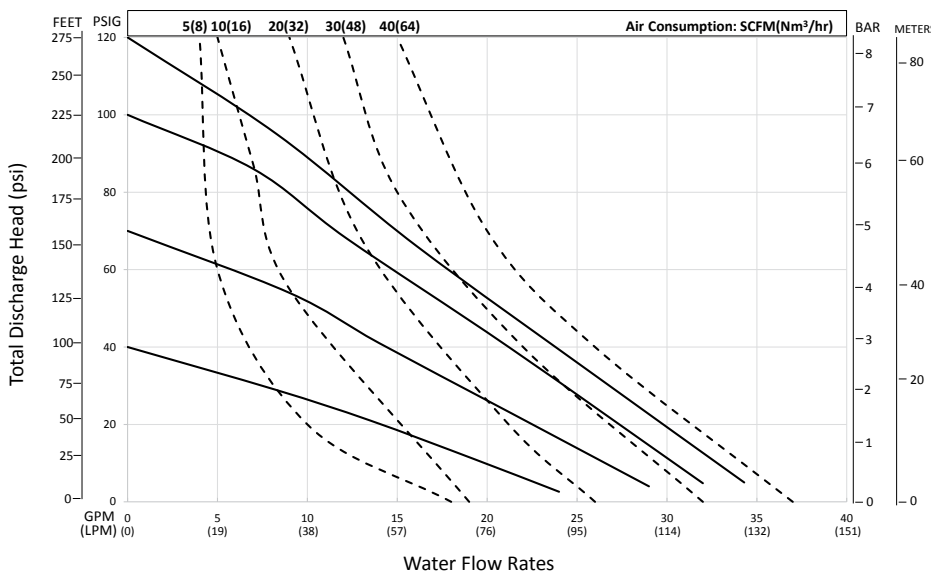
ARO® Part No.	Pump-Fit Part No.	Discharge Type
666100-344C	F666100-344-C	FNPT
666100-3EB-C	F666100-3EB-C	FNPT
666120-344-C	F666120-344-C	FBSP
666120-3EB-C	F666120-3EB-C	FBSP

### Features

- 1 in FNPT or FBSP suction/discharge
- 1/4 in NPT air inlet
- Aluminum construction
- Santoprene® or PTFE balls and diaphragms
- Weight: 19.4 lb (8.8 kg)

Santoprene® is a registered trademark of ExxonMobile Chemical Co.

F6661 Performance



### Capabilities

- **Max Flow:** 35 gpm (133 lpm)
- **Max Air Inlet Pressure:** 120 psi (8.3 bar)
- **Max Working Pressure:** 120 psi (8.3 bar)
- **Max Material Inlet Pressure:** 10 psi (0.69 bar)
- **Max Air Consumption:** 40 SCFM (19 l/sec)
- **Noise Level:** 71 dBA
- **Displacement per stroke:**
  - 0.16 gal (0.6 l) Santoprene®
  - 0.14 gal (0.53 l) PTFE
- **Max Particle Size:** 1/8 in (3.2 mm)



## Part Number Model Codes

### F666100-3EB-C, F666100-344-C, F666120-3EB-C, & F666120-344-C

Model	(Air) Motor Body	Fluid Cap & Manifold	Seat Material	Ball Material	Diaphragm Material	
F66610		0	3	E	B	C
F66610		0	3	4	4	C
F66612		0	3	E	B	C
PF6661	2	0	3	4	4	C
	(0-Aluminum/FNPT)	(0-Aluminum)	(3-Polypropylene)	(E-Santoprene)	(B-Santoprene)	
	(2-Aluminum/FBSP)			(4-PTFE)	(4-PTFE/Santoprene)	

## FTA Replacement Parts

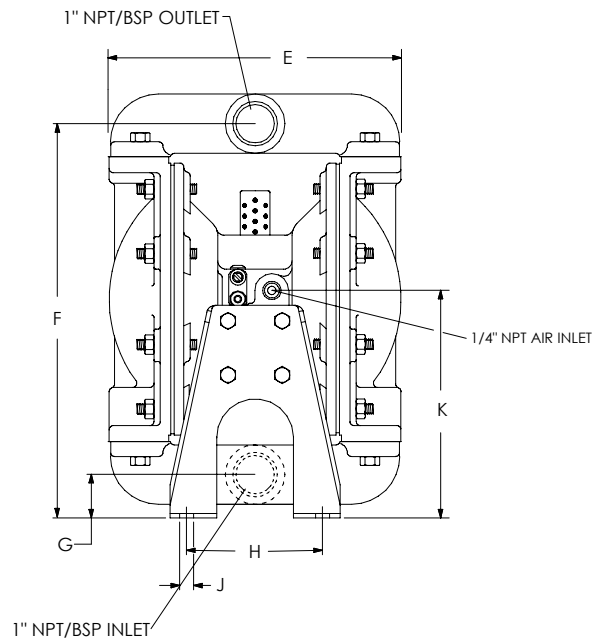
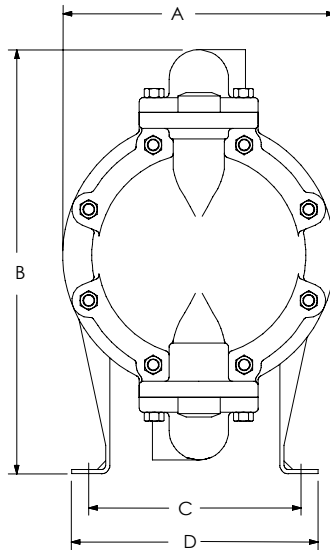
ARO® Part No.	FTA Part No.	Description
637119-EB-C	F637119-EB-C	Wet End Kit, Santoprene
637119-44-C	F637119-44-C	Wet End Kit, PTFE
637118-C	F637118-C	Air End Kit

## Temperature Range for Internal Materials

Material	Maximum	Minimum
Polypropylene	175°F (79° C)	35°F (2° C)
Santoprene®	225°F (107° C)	-40°F (-40° C)
PTFE	225°F (107° C)	40°F (4° C)

### F666100 Dimensions

- A - 8.00" (203mm)
- B - 12.50" (318 mm)
- C - 6.25" (159 mm)
- D - 7.31" (186 mm)
- E - 8.56" (217 mm)
- F - 11.56" (294 mm)
- G - 1.25" (32 mm)
- H - 4.00" (102 mm)
- J - 0.41" (10 mm)
- K - 6.50" (165 mm)



**USA**

**FTA Pumps**

27027 Westheimer Pkwy, Katy, TX  
Tel: 713 344 1226

